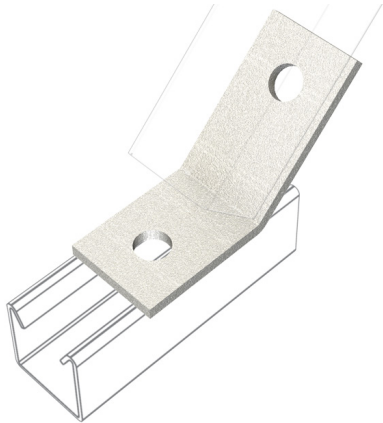


PRODUCT CODE: MP20
CHANNEL BRACKET



DESCRIPTION

45° Obtuse Angle Bracket

FINISH

Hot Dipped Galvanised

MATERIAL

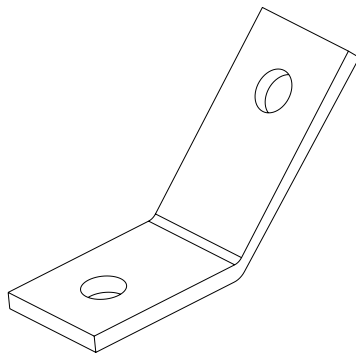
Steel

PACKAGING

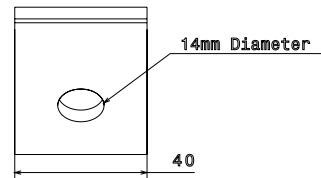
Packed in qty 25

ADDITIONAL NOTES

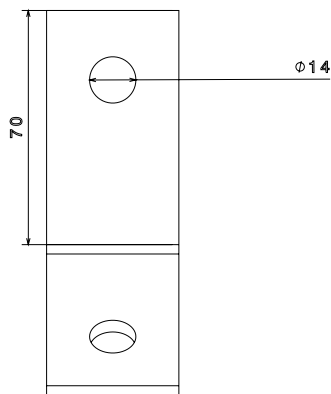
Compliant to LU Standard 1-085 (for use on surface & sub-surface locations)



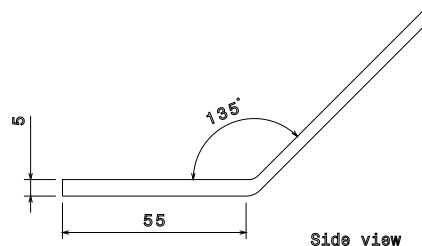
Isometric view



Top view



Front view



Side view